



Technical features	TIG 3000 D
Engine	HATZ 1B20 V
Rotation speed	2400 - 3200 rpm
Max. power output	2,9 KW - 230V
Distortion	50 Hz
Starting	Electric
Noise level	56 - 59 dBA (7m)
Max fuel	
Dimensions	41x58,5x46,5 cm
Weight	87 kg.

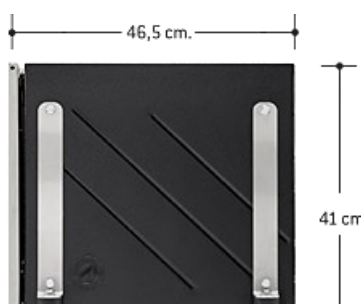
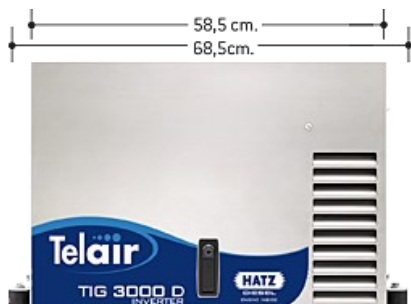
Telair TIG 3000D Diesel

The **TIG 3000 D** is a new-generation 230 V AC inverter generator powered by a Diesel engine.

The rotation speed is commanded by a newly developed electronic variable speed system which functions at an extremely low noise level and greatly reduces average diesel consumption. Inverter technology provides a very stable flow of power by pure sine wave.

The modern designed remote control panel with display provides the user with full information on generator operation: oil level checks, working temperature and power consumption with automatic engine cut-off if values do not correspond with standard values. The generator can be set to manual or automatic mode (if it's also used as a battery charger). It also has a BOOST button which can be used when a temporary increase of power for a very high electric load is needed.

It also has a special interface which makes it possible to use the new Teleco-Hub App to switch the generator on/off and control it remotely using an iOS or Android smartphone.



Call 0203 206 7476 or email sales@telairgenerators.co.uk for further information and up to date prices

www.telairgenerators.co.uk