

Telair

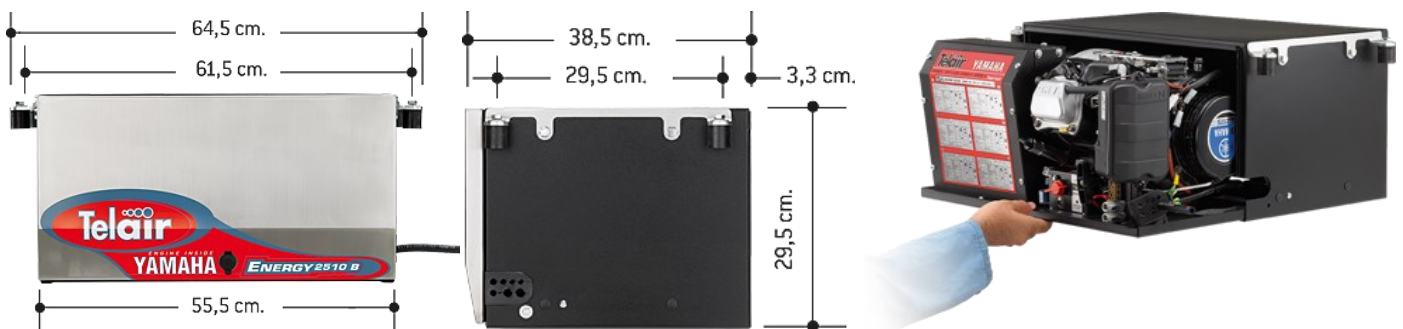


Technical features

Engine	YAMAHA MZ 175
2-pole alternator	Sincron
Max. power output	2,5 KW - 230V 10A / 12 Vdc
Frequency	50 Hz
Starting	Electric / Manual
Noise level	58 dBA (7m)
Max fuel consumption	1,2 Lt/h
Dimensions	29,5x55,5x38,5 cm
Weight	56 kg.

Telair Energy 2510B Petrol Generator

Super-silent petrol generators with Yamaha engine, contained in a sound- proofed metal casing. Fully automatic electronic starting system complete with remote control panel with 5 m cable equipped with: total and partial hour counter, oil and petrol level indicator lights, overheating indicator with automatic engine stop. Built-in battery charger, 12 Volts/10A. Pull out drawer for easy generator maintenance. The ASP panel allows automatic power on/off if the generator is connected to a battery charger (230/12 Volt) with relative battery.



Call 0203 206 7476 or email sales@telairgenerators.co.uk for further information and up to date prices

www.telairgenerators.co.uk